



Electric Height Adjustable Desk

Models:

ASD48-1A

ASD48-1B

ASD72-1A

ASD72-1B

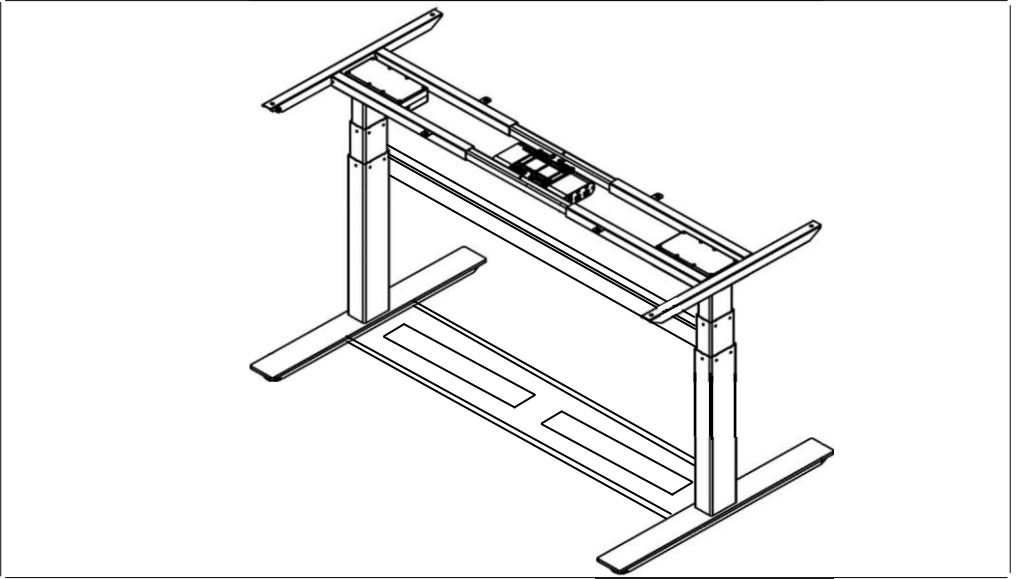
Desk frame assembly instructions



WARNINGS

Inappropriate use of this product may cause injury. Do not move around, crawl or lie under the desk frame while operating. Do not sit or stand on the desk. Check that cables have enough slack to move with the frame.

This desk is designed for indoor use only. Avoid excessive humidity environment.



Controller:

Input Voltage: AC 110V /220V Output Voltage: DC 24V
Duty Cycle: Max.10%

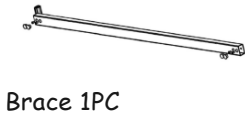
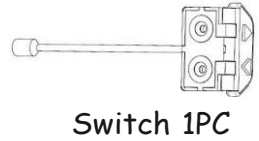
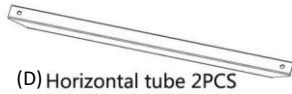
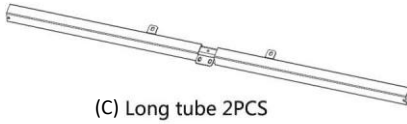
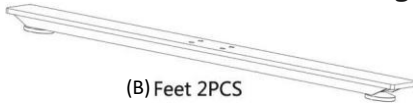
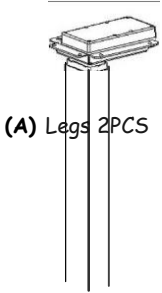
Columns:

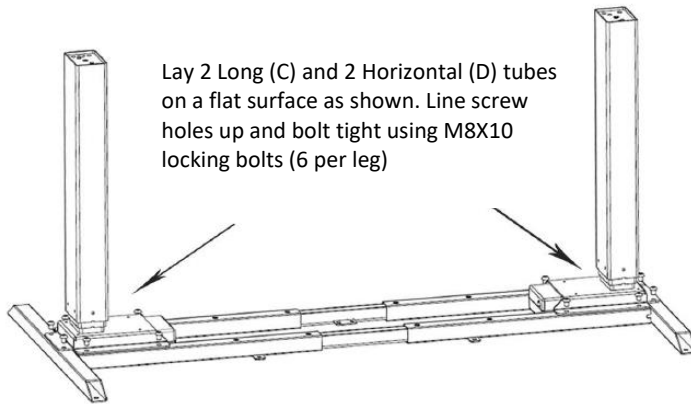
Desk frame part: Built-in limit switch
Dynamic load: 265lbs
The maximum static load: 310lbs
Load speed: 1.2in/s
Lift range: 25in-51in

Desk top:

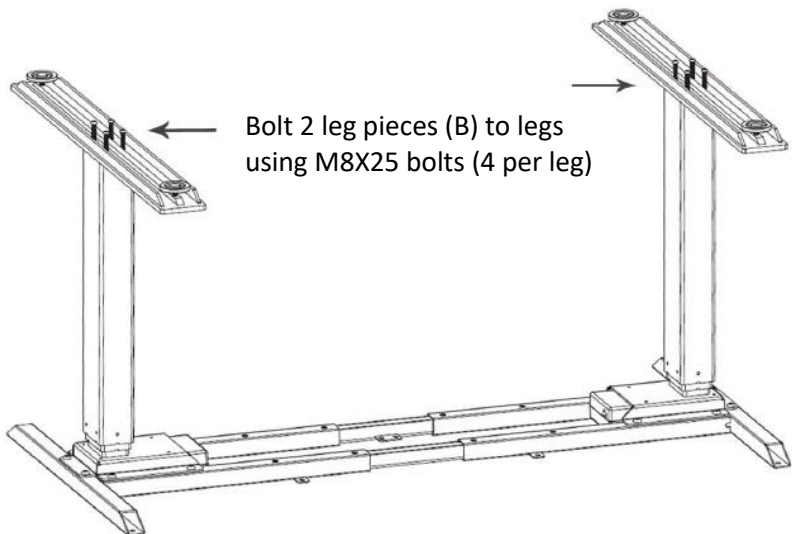
Size: 30in deep X 48in or 72in wide
3/4in thick laminated on both sides
with vinyl edging
Gross Weight : 110lbs

Part drawing



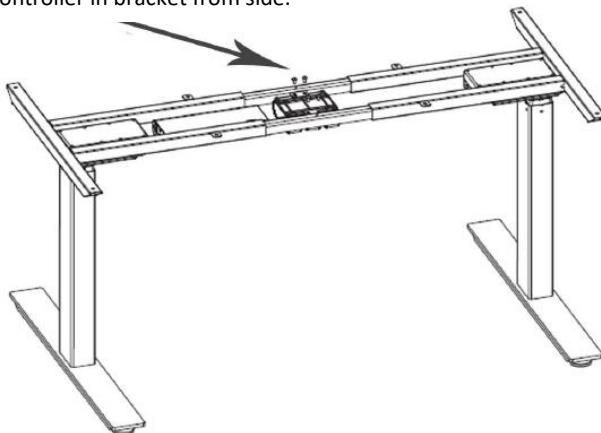


2: Connect horizontal frame pieces to legs



3: Install 2 feet pieces (B)

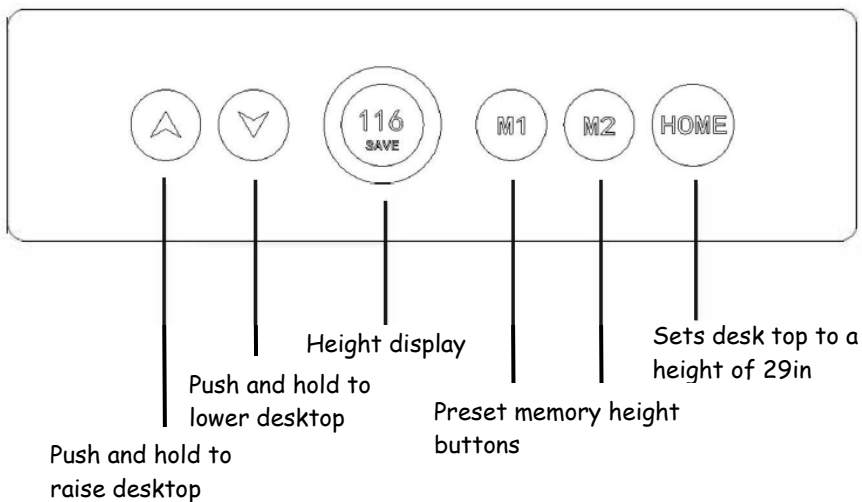
Use 4M6X10 bolts to install the controller bracket as shown. Slide controller in bracket from side.



5: Install controller

6: Plug in 2 Motor cables, 1 console cable and power cable.

Console Instruction



Console operation

1. Lightly touch up/down button and hold the key to rise and low the desk height
2. Press HOME button to take the desktop to 29in height
3. M1,M2 press and hold the key in 5 seconds (until beep sounds) to set current position in memory. Press and quickly release at any time to take desktop height to set position
4. Touch up or down button to turn console on if screen is off